

**PNEUMATIC ROTARY ACTUATOR OPERATED
"UPVC"
Butterfly Valve**

Catalogue No.
APL / 2032

4Matic

offers ISO 5211 Standard Pneumatic Rotary Actuator Operated UPVC Butterfly Valve now come with an update design that offers angle switching control. Increased neck height makes it easier to install. Sealing surface and through hole are processed on CNC machines for reliable and enhanced sealing performance.

Size Range : 2" to 8"

Butterfly Valve Specification

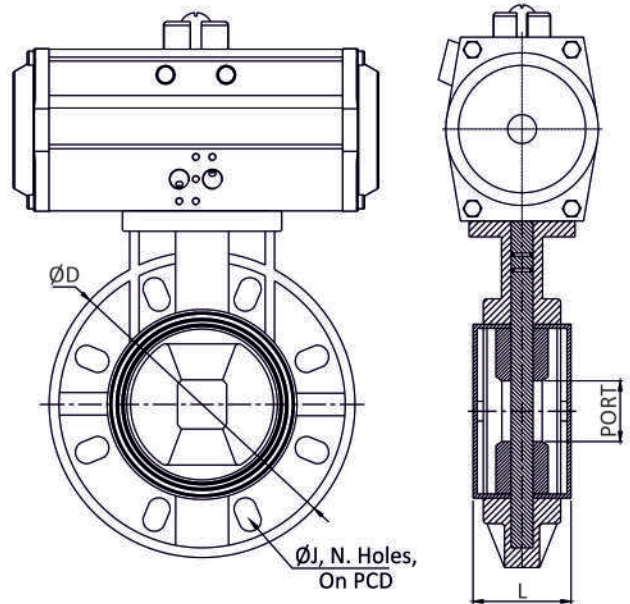
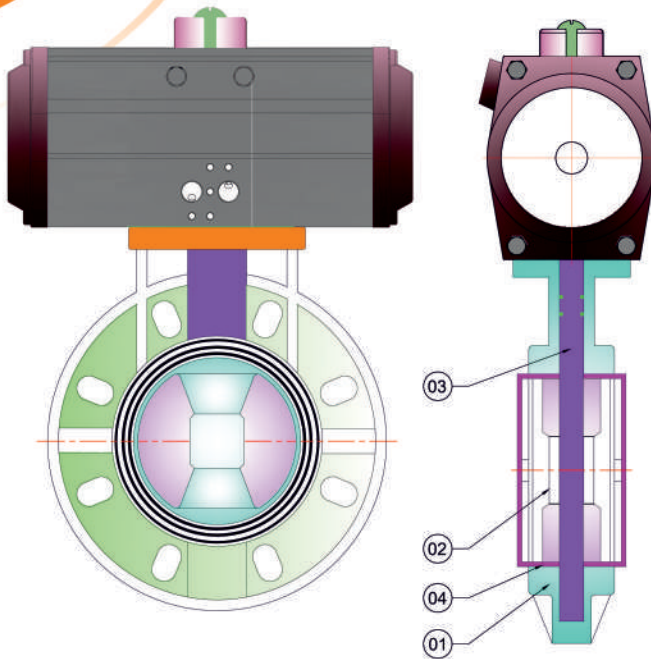
Body	UPVC
Disc	Polypropylene
Pressure	7 Kg/cm ²
Temperature	Upto 80 °C
Ends	Wafer Type

Advantages

- Improved PP disc to enhance the performance.
- Thickness body and seal to extend the service life.
- Materials meet drinking water standard.
- 100% pure virgin material, CaCO₃ free (Chalk)
- UV resistant powder added.
- Can be assembled with pneumatic Actuator.

Accessories :

- On / OFF Indicator
- NAMUR Standard Solenoid Valve in
- all Standard Coil Voltage (Flame Proof Solenoid Coil - On Request)
- Pneumatic & Electro-Pneumatic valve positioner
- Declutchable Manual Over - Ride
- Limit Switches for On / Off Indication at Panel Board
- Filter + Regulator Combination with Pressure Gauge



No.	DESCRIPTION	MATERIAL
1	Body	UPVC
2	Disc	Polypropylene
3	Shaft	AISI 410
4	Seat	NBR

Dimensions : (All Dimensions are in mm)

Valve Model	Valve Size MM	Inch	Port	L	ØD	ØJ	N	PCD
A4UPB - 50	50	2"	54	44.5	160	20	4	123
A4UPB - 65	65	2.1/2"	67	48	184	21	4	143
A4UPB - 80	80	3"	83	53	198	21	8	157
A4UPB - 100	100	4"	101	57	231	21	8	186
A4UPB - 125	125	5"	127	68	257	24	8	213
A4UPB - 150	150	6"	152	73	285	24	8	240
A4UPB - 200	200	8"	200	92	340	24	8	296

Note : Since, constant worldwide advancement in technology, We keep our rights reserved to make changes time to time in Technical specifications and Dimensions without prior notice.

Pub. on: January, 2015 (Rev.-01)