

4Matic offers Manual (Gear / Handle) Double Flanged Butterfly Valve, engineered for multiple ON/OFF operations in the larger pipe line and full flow down streams.

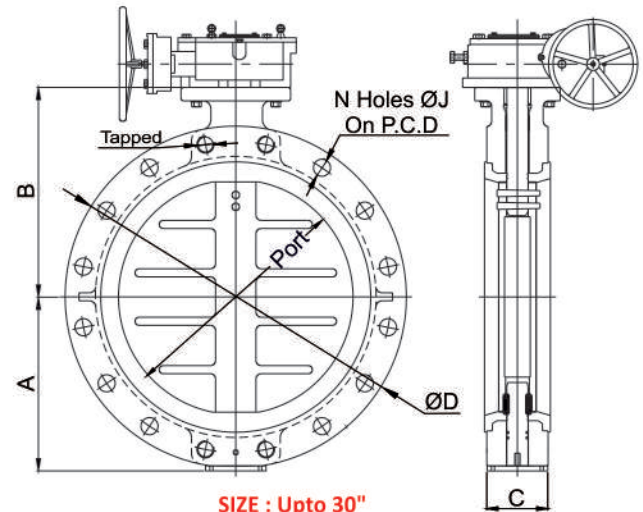


**Size Range : 3" to 48"**

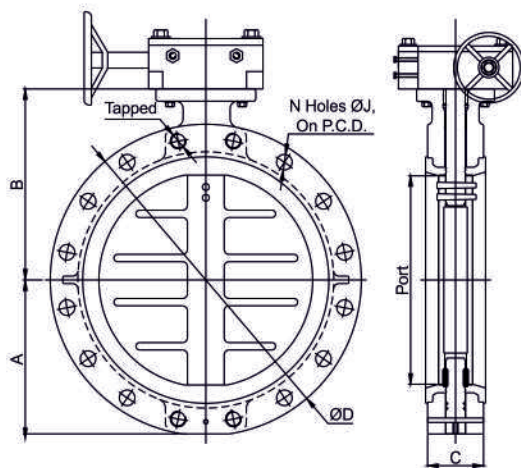
**Key Feature :**

- Integrally moulded seat liner on the body, which ensures excellent dimensional stability & guaranteed seat tightness.
- Seat liner extending on to the contact faces ensures perfect sealing and eliminates the need for separate flange gaskets.
- Narrow land disc ensures perfect sealing with least operating torque requirements.
- A fully universal body design ensures fitting of the valve between companion flanges of all popular standards (viz : ANSI, BS, DIN, JIS, IS etc.)
- The notch disc & band lever ensures locking of the valve in 8 intermediate position in addition to close and open position. Hand lever can be locked through pad lock.
- Body casting made of superior FG 260 grade cast iron to ensure additional strength.
- Valve disc made of stainless steel / ductile cast iron which enable protection against possible water hammer or pressure surges.
- A truly line size body bone to ensure maximum flow capacity with the lowest pressure drop.

PRESSURE / TEMPERATURE RATING	
PRESSURE	TEMPERATURE
PN 10 / PN 16 ( PN 20 ON REQUEST )	-20 to 80 °C For Nitrile Seat Depending On MOC



**Note : (Valve F to F will be as per Wafer type) (Flange Thickness Non - STD As per Mfg. Std Wafer short Double Flange Body)**



**Dimensions :** (All Dimensions are in mm)

Valve Model	Valve Size		Port	A	B	C	ØD	N	ØJ	Tapped	PCD
	MM	Inch									
4M-DF-ECO-80	80	3"	80	95	129	46	190	4	19.05	--	152.4
4M-DF-ECO-100	100	4"	100	113	147	52	230	8	19.05	--	190.5
4M-DF-ECO-150	150	6"	150	136	177	56	280	8	22.2	--	241.3
4M-DF-ECO-200	200	8"	200	174	214	60	345	8	22.2	--	298.5
4M-DF-ECO-250	250	10"	241	201	265	68	405	12	25.4	--	362
4M-DF-ECO-300	300	12"	286	236	303	78	485	12	25.4	--	431.8
4M-DF-ECO-350	350	14"	333	248	345	78	535	12	28.6	--	476.3
4M-DF-ECO-400	400	16"	382	300	364	102	595	16	28.6	--	539.8
4M-DF-ECO-450	450	18"	433	322	381	114	635	16	31.75	1" UNC	577.9
4M-DF-ECO-500	500	20"	476	354	436	127	700	20	31.75	1" UNC	635
4M-DF-ECO-600	600	24"	590	405	515	154	815	20	34.9	1.1/4" UNC	749.3
4M-DF-ECO-650	650	26"	635	435	490	165	870	24	34.9	1.1/4" UNC	806.4
4M-DF-ECO-700	700	28"	680	462	543	165	925	28	34.9	1.1/4" UNC	863.6
4M-DF-ECO-750	750	30"	725	482	576	190	985	28	34.9	1.1/4" UNC	914.4
4M-DF-ECO-800	800	32"	785	533	618	190	1060	28	41.3	1.1/2" UNC	977.9
4M-DF-ECO-900	900	36"	885	576	675	203	1170	32	41.3	1.1/2" UNC	1085.8
4M-DF-ECO-1000	1000	40"	965	640	720	216	1290	36	41.3	1.1/2" UNC	1200.2
4M-DF-ECO-1200	1200	48"	1170	750	865	254	1510	44	41.3	1.1/2" UNC	1422.4