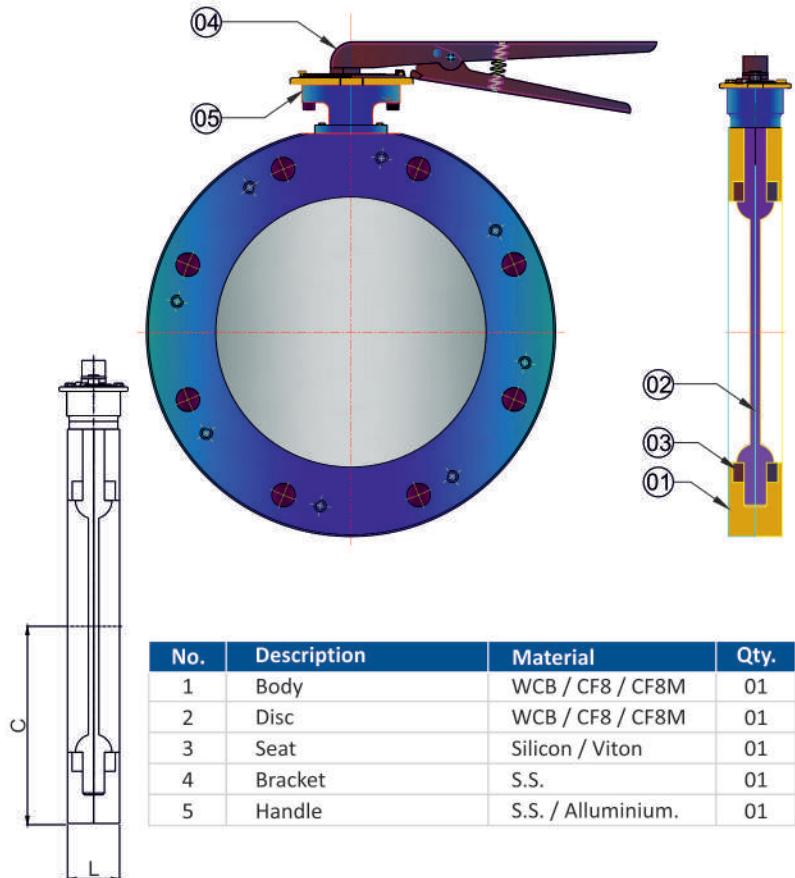
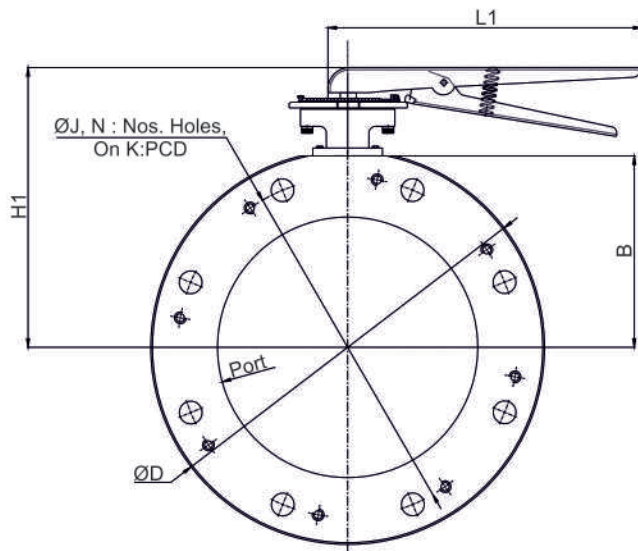


Size Range : 2.1/2" to 16"

**PRESSURE / TEMPERATURE RATING**

WORKING PRESSURE	MAX. 3 TO 4 KG/CM <sup>2</sup>
OPERATING TEMPERATURE	-50 °C TO +400 °C



No.	Description	Material	Qty.
1	Body	WCB / CF8 / CF8M	01
2	Disc	WCB / CF8 / CF8M	01
3	Seat	Silicon / Viton	01
4	Bracket	S.S.	01
5	Handle	S.S. / Alluminium.	01

**Dimensions :**

(All Dimensions are in mm)

Valve Model	Valve Size		Port	L	ØD	N	ØJ	K:PCD	B	C
	MM	Inch								
4M-H-PBV - 65	65	2.1/2"	65	26	178	4	19.05	139.7	----	----
4M-H-PBV - 80	80	3"	80	26	190	4	19.05	152.4	----	----
4M-H-PBV - 100	100	4"	100	28	150	4	9	134	----	----
4M-H-PBV - 150	150	6"	150	30	227	6	11	202.8	111	113.5
4M-H-PBV - 200	200	8"	200	30	285	6	9.5	264	137	139.5
4M-H-PBV - 250	250	10"	250	32	354.5	6	11	327	173	177.25
4M-H-PBV - 300	300	12"	300	35	405	8	13.5	378	199	202.5
4M-H-PBV - 350	350	14"	350	40	527	12	25.4	469.9	260.5	261
4M-H-PBV - 400	400	16"	400	40	577.9	12	25.4	520.7	285	290